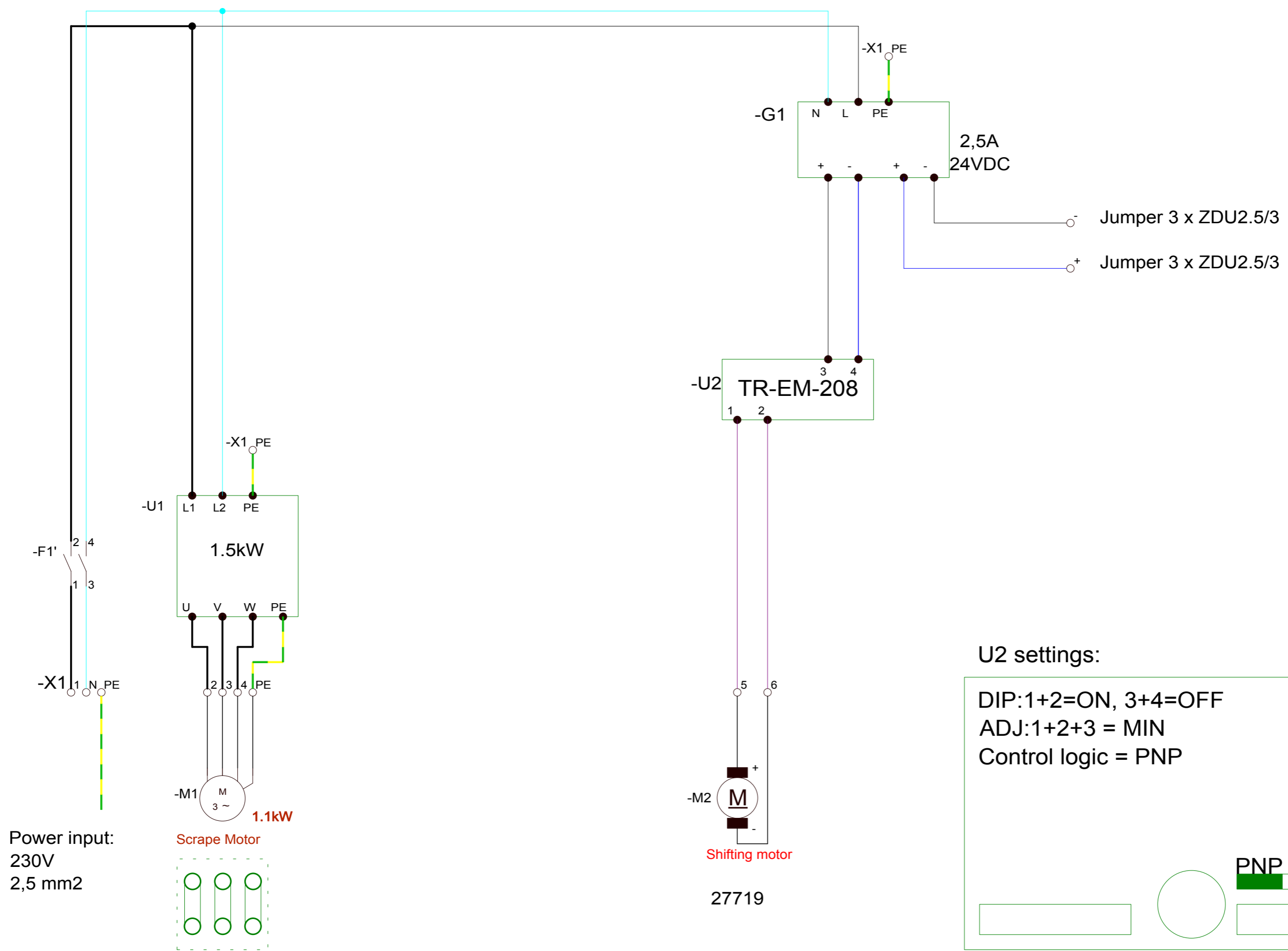


Electric

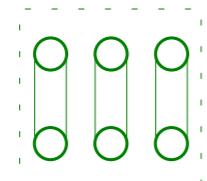
FeedBelt_lite - V1.2
 G:\Elektro\agri\FeedBelt Lite\drawings\
 24.11.2016
 24.11.2016 15:23

We reserve all rights in this document and in the information contained therein. Reproduction, use or disclosure to third parties without express authority is strictly forbidden.
 © TKS



Power input:
 230V
 2,5 mm2

Scrape Motor



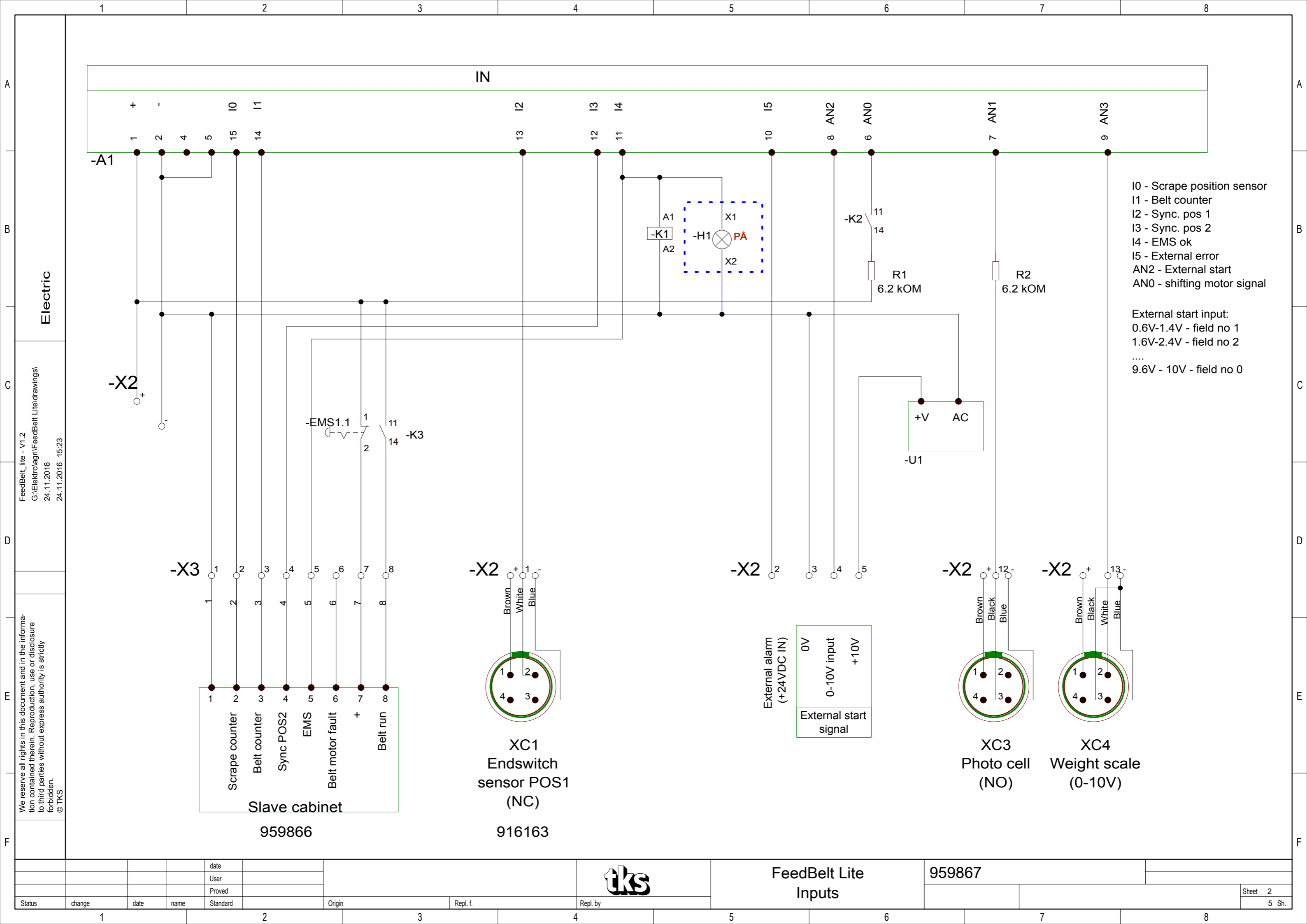
U2 settings:

DIP: 1+2=ON, 3+4=OFF
 ADJ: 1+2+3 = MIN
 Control logic = PNP

DIP

Adj: 1

PNP



10 - Scrape position sensor
 11 - Belt counter
 12 - Sync. pos 1
 13 - Sync. pos 2
 14 - EMS ok
 15 - External error
 AN2 - External start
 AN0 - shifting motor signal

External start input:
 0.6V-1.4V - field no 1
 1.6V-2.4V - field no 2

 9.6V - 10V - field no 0

Electric

FeedBelt_lite - V1.2
 G:\Elektro\agni\FeedBelt Lite\drawings\
 24.11.2016
 24.11.2016 15:23

We reserve all rights in this document and in the information contained therein. Reproduction, use or disclosure to third parties without express authority is strictly forbidden.
 © TKS

Status		change	date	name	Standard	Origin	Repl. f.	Repl. by	tkS		FeedBelt Lite Inputs		959867		Sheet 2
1	2	3	4	5	6	7	8	9	10	11	12	13	14	15	5 Sh.

