



tk^s

AGRI

www.tks-as.no

K2 EasyFeed

Your gateway to automatic feeding

- *Automatic feeding of young and fully grown animals*



K2 EasyFeed



K2 EasyFeed

A well tested and robust design.

K2 EasyFeed draws on what works.

K2 CombiCutter design.

K2 EasyFeed handles different types of feed such as round bales, silage, blocks, cut and mixed feed – from wet to dry, long to short material.

K2 EasyFeed has an even output thanks to its unique blade drum with 62 double blades and automatic conveyor belt adjustment.

K2 EasyFeed is available in several models, the most common of which is K2 1600, which is designed to handle round bales directly; it is available in short and long, with and without side doors. It is also available as K2 1200, which is the narrow version that can be used where the bunk feeder is narrow or you do not need to handle the bales directly.

K2 EasyFeed is a very affordable option with regard to automatic feeding: you only need K2 EasyFeed with optional ceiling rail operation and control to give you the simplest automatic feeding system on the market today.

K2 EasyFeed operation

K2 EasyFeed is very easy to use. You start by dividing the barn into the desired number of feeding groups, then set how many times K2 EasyFeed should go backwards and forwards over the group, and finally set how many start times you want for each group; then

K2 EasyFeed handles the rest.

There are two ways of determining the amount of feed for each group: either by adjusting the speed of the traversing carriage or programming how many times the machine should go backwards and forwards over the group. This is a safe and simple way of ensuring that there is always feed in front of the animals when they are hungry.

You can also choose to feed some groups manually; you take control and select the groups that you want to feed, after which K2 EasyFeed starts and feeds the selected groups.

The actual display is hand-held and can also be used to run K2 EasyFeed manually in cases where this may be desirable.

Automatic feed dispensing has many benefits, both for yourself and the animals. Primarily because your animals will achieve a maximum yield, whether in milk or meat, and also because you will save a lot of time, perhaps up to an hour per day. You will also see that the environment in the barn is very calm with little stress among the animals.

K2 EasyFeed

K2 EasyFeed control

Operational reliability and flexibility is an important part of K2 EasyFeed control. The display itself is mobile and maintains contact with the operating panel via radio signal. This allows the display to be positioned wherever you want, either in the office or in other appropriate locations.

We have focused on ensuring that the functions in the

K2 EasyFeed control are simple and satisfy the need to be able to feed automatically in most types of barns such as those for sheep, goats, cows, suckler cows and milk cows.

- 20 groups with 12 start times per group
- Individual feed quantities for each group
- Mobile touch display for simpler machine operation
- Option to control two filling sources: two roughage source and a concentrated feed source
- Filling source can be a round-bale magazine, FeedHopper or FeedMixer
- Able to control the machine, ceiling rail operation, side dispenser and brushes
- Can be equipped with concentrated feed dispenser

Additional equipment

K2 EasyFeed can be equipped with a side dispenser and brushes, and these can be managed using the K2 EasyFeed control.

It can also be equipped with a concentrated feed tank; this is very favourable in terms of providing a basic ration for cows or providing concentrated feed to sheep, young animals, etc.

Concentrated feed filling can be done either manually or automatically.

Benefits

- Feeding on weights
- 1 or 2 types of concentrate
- Feeding on concentrate up to 400 points
- Blade attachment without use of screws 62 double blades
- 7.5 kW cutter motor on drum
- Centralised lubrication system
- Powerful carriers on the lower belt with stainless steel chain
- Fixed frames or side doors
- Resistance sensor controls feed towards the drum



- Solid bearings and operation
- K2 EasyFeed 1600 copes well with round bales from new presses with wide chambers (int. width 135 cm)
- Service-friendly
- Durable
- Reliable

K2 EasyFeed

Filling sources

K2 EasyFeed can be run with various filling sources depending on what is being fed. This is something that appeals to most customers since you do not normally want to start up a tractor each time you feed animals.

TKS Magazine R2

This is the simplest and most affordable combination. TKS Magazine R2 is available in different lengths, and the machine senses when it is empty, automatically retrieves a new round bale and continues feeding from where it ran out.

TKS K2 CombiCutter

This solution is good when you have to use the K2 1200 machine as the feed dispensing unit, since then a K2 1600 can be used as a magazine to shred the feed in advance; this can also be equipped with a magazine if this is necessary.

TKS FeedHopper Junior

This is used where you want to run a combination of round bales and silage. Here you can choose between two sizes: 5 and 11 m³. If you are using round bales, these should be shredded/broken up.

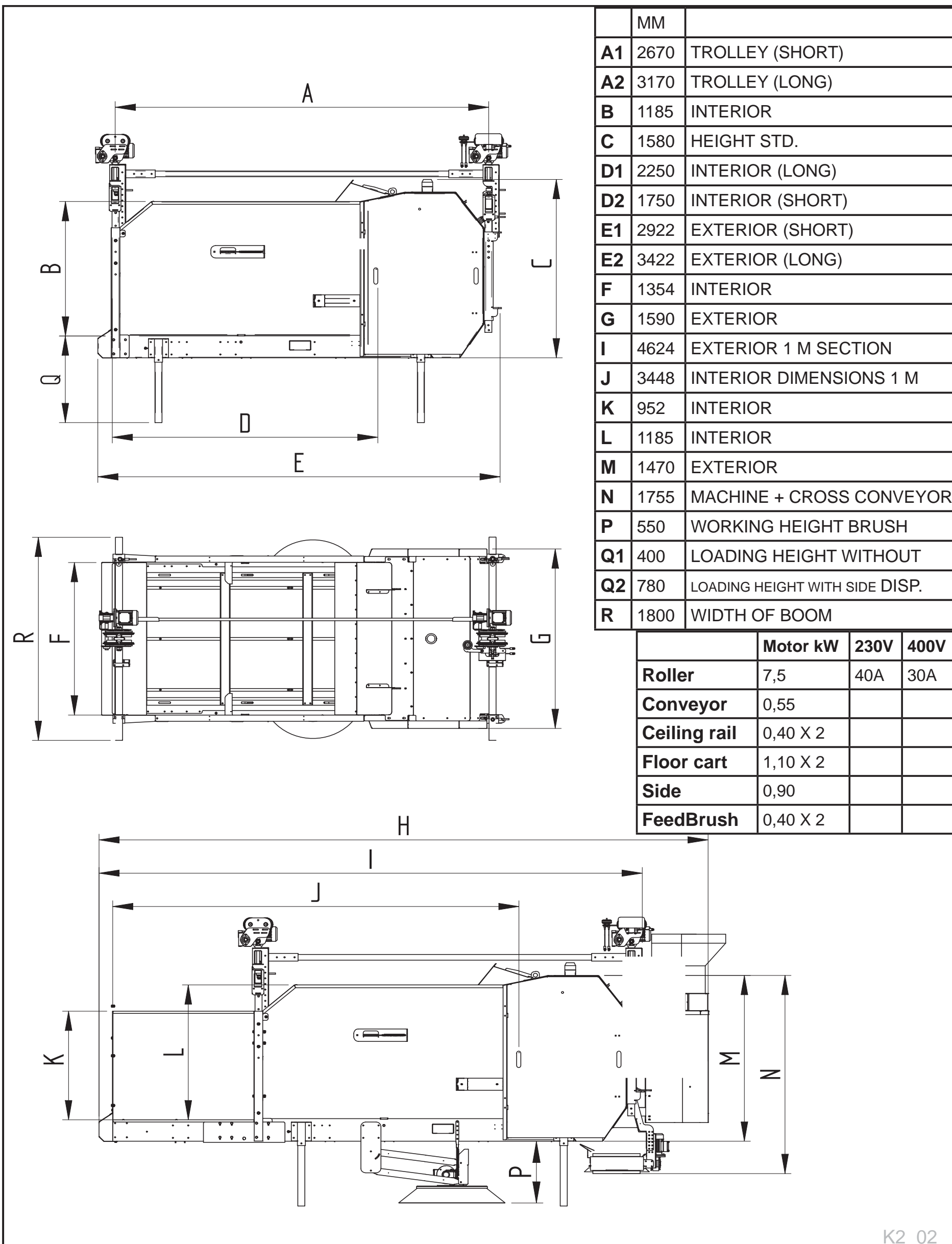
TKS Kuhn FeedMixer

FeedMixer is an option if you want to mix feed. You can mix different hays and mix in other types of feed or concentrated feed. If your consumption is over five bales a day, FeedMixer is recommended.



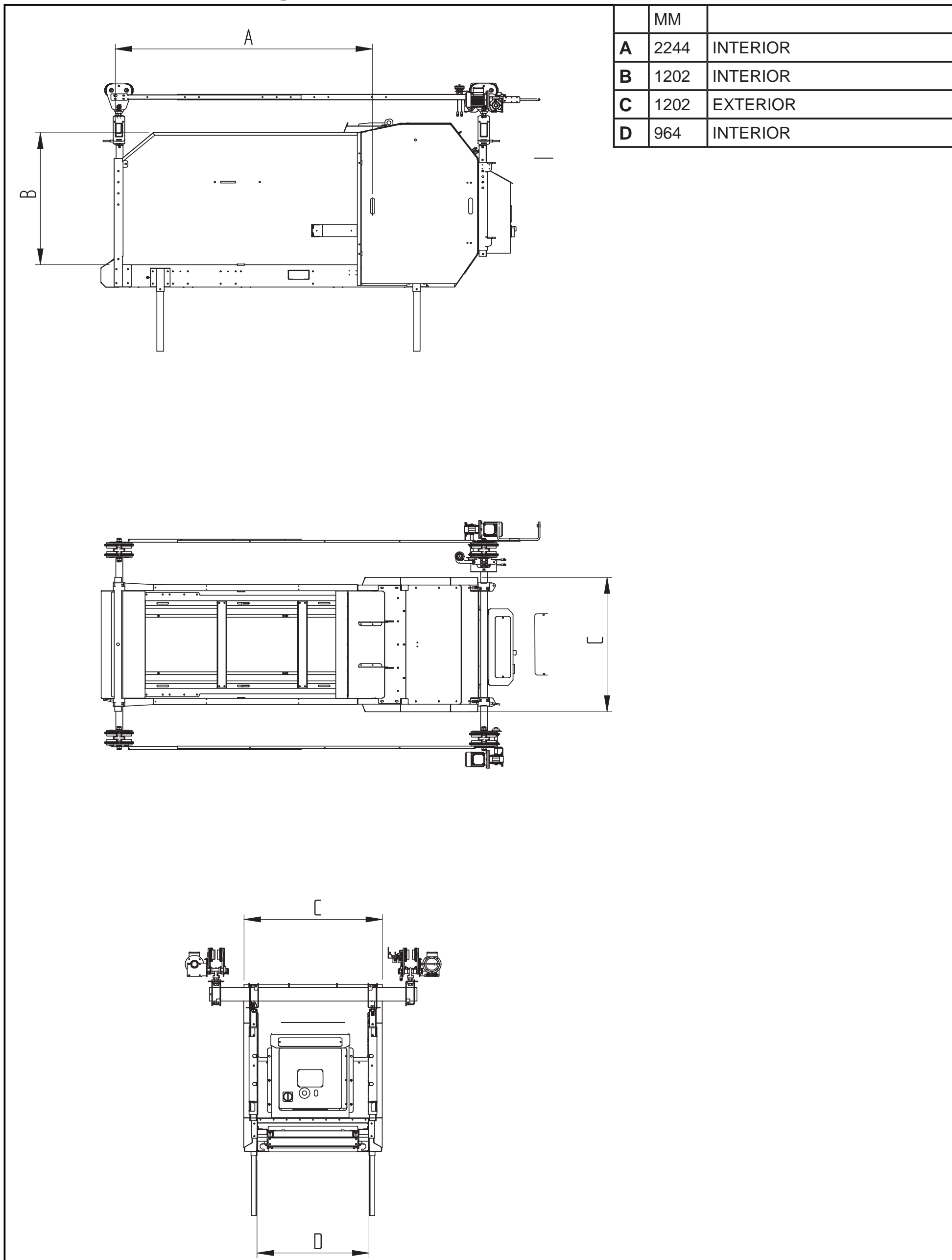
K2 EasyFeed

All measurements are given in mm



K2 EasyFeed

All measurements are given in mm



K2 EasyFeed

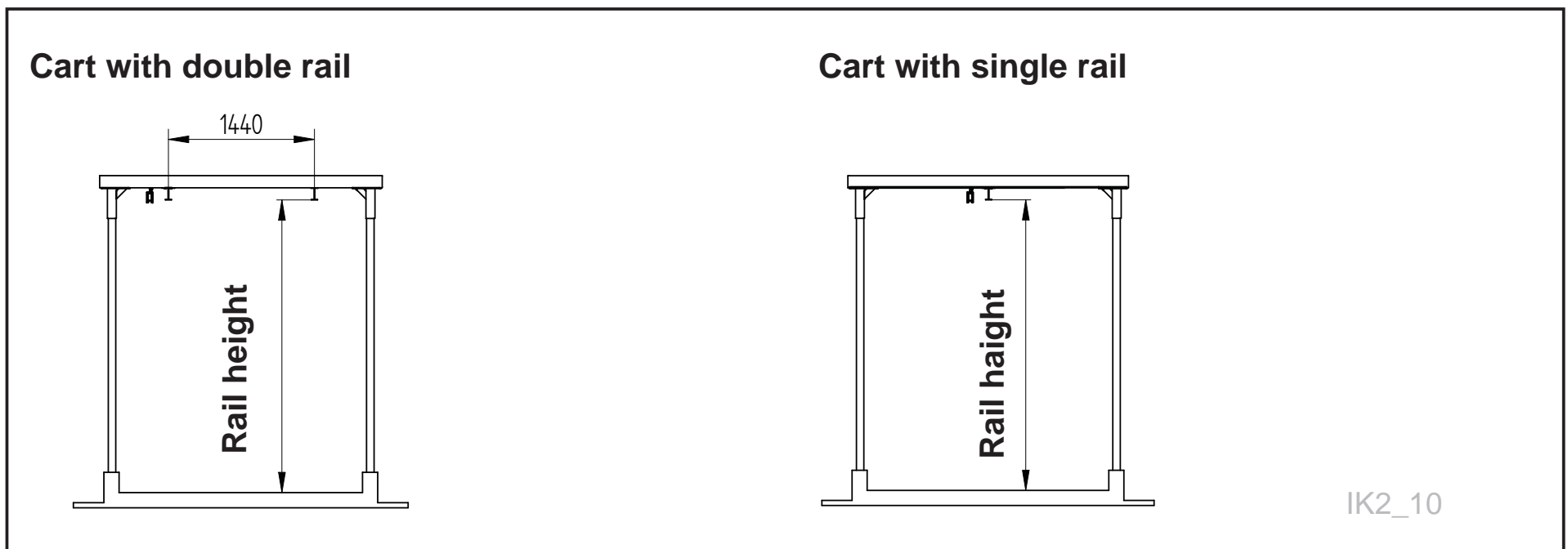


Fig. 10a

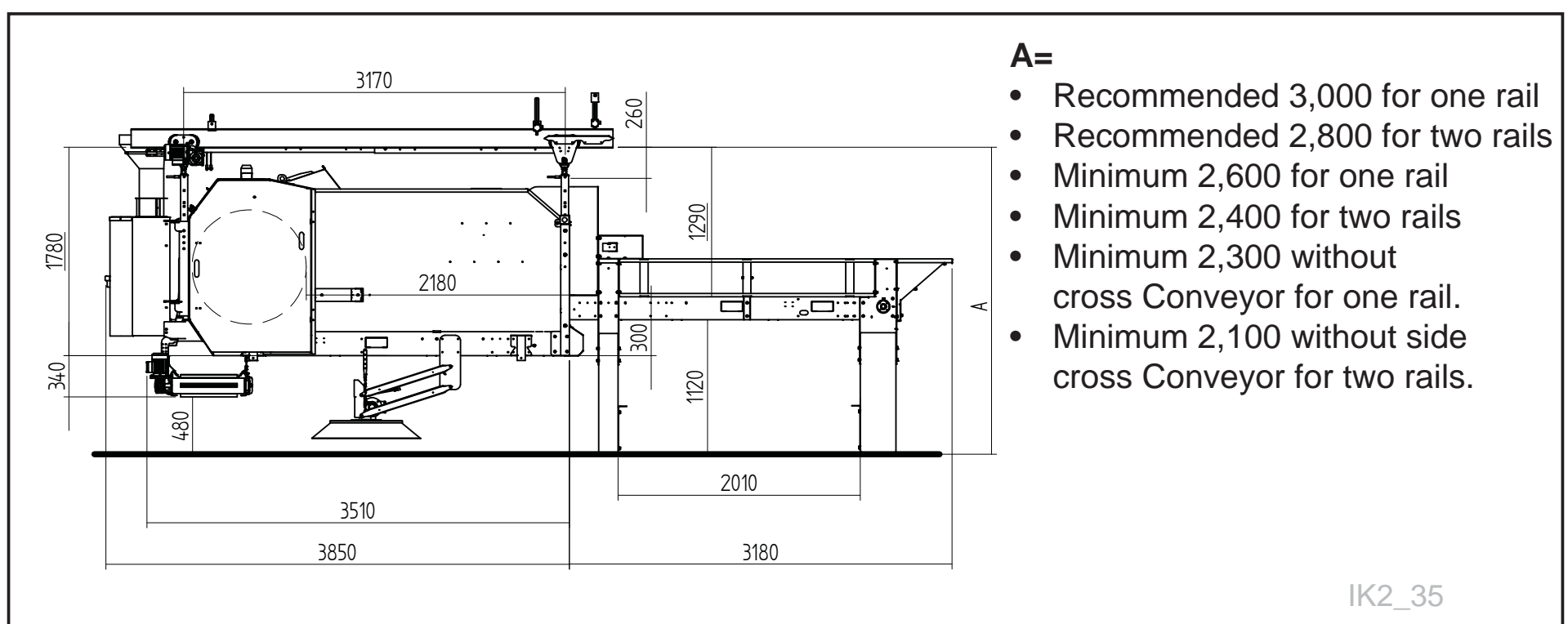
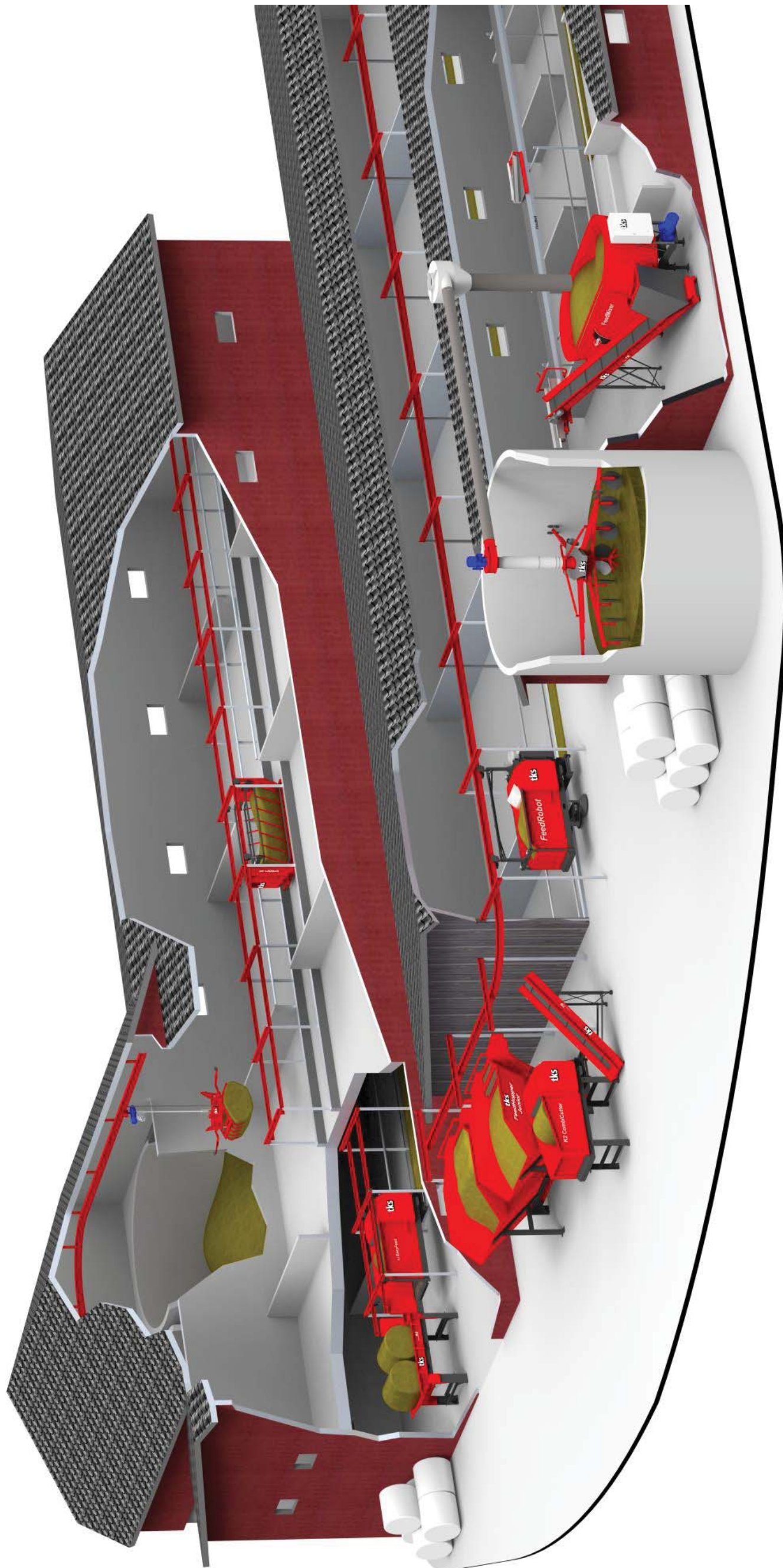


Fig. 10b

Height below rail (minimum size)	Recommended size	Filling from R2 Magazine	Manual/other filling	Without Cross Conveyor
K2 EasyFeed with double rail	2800	2400	2050	2050
K2 EasyFeed with single rail	3000	2600	2200	2250
Width trough edge – trough edge		Minimum	Greatest width	
K2 EasyFeed 1200		1600		
K2 EasyFeed without cross Conveyor		2000	-	
K2 EasyFeed 1600 1.0 m cross Conveyor		2000	2400	
K2 EasyFeed 1600 1.3 m cross Conveyor		2400	3000	
K2 EasyFeed 1600 1.7 m cross Conveyor		3000	4000	

K2 EasyFeed



TKS AS, Kvernelandvn 100, N-4355 Kverneland
Tel: +47 51 77 05 00, Fax: +47 51 48 72 28
www.tks-as.no e-post: post@tks-as.no