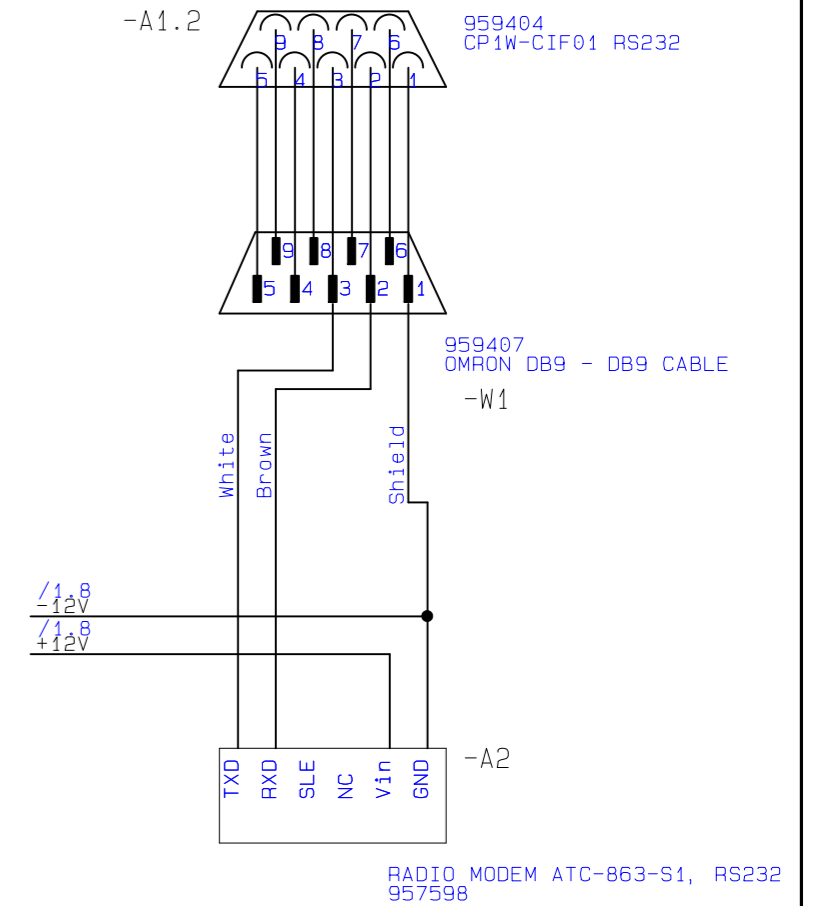
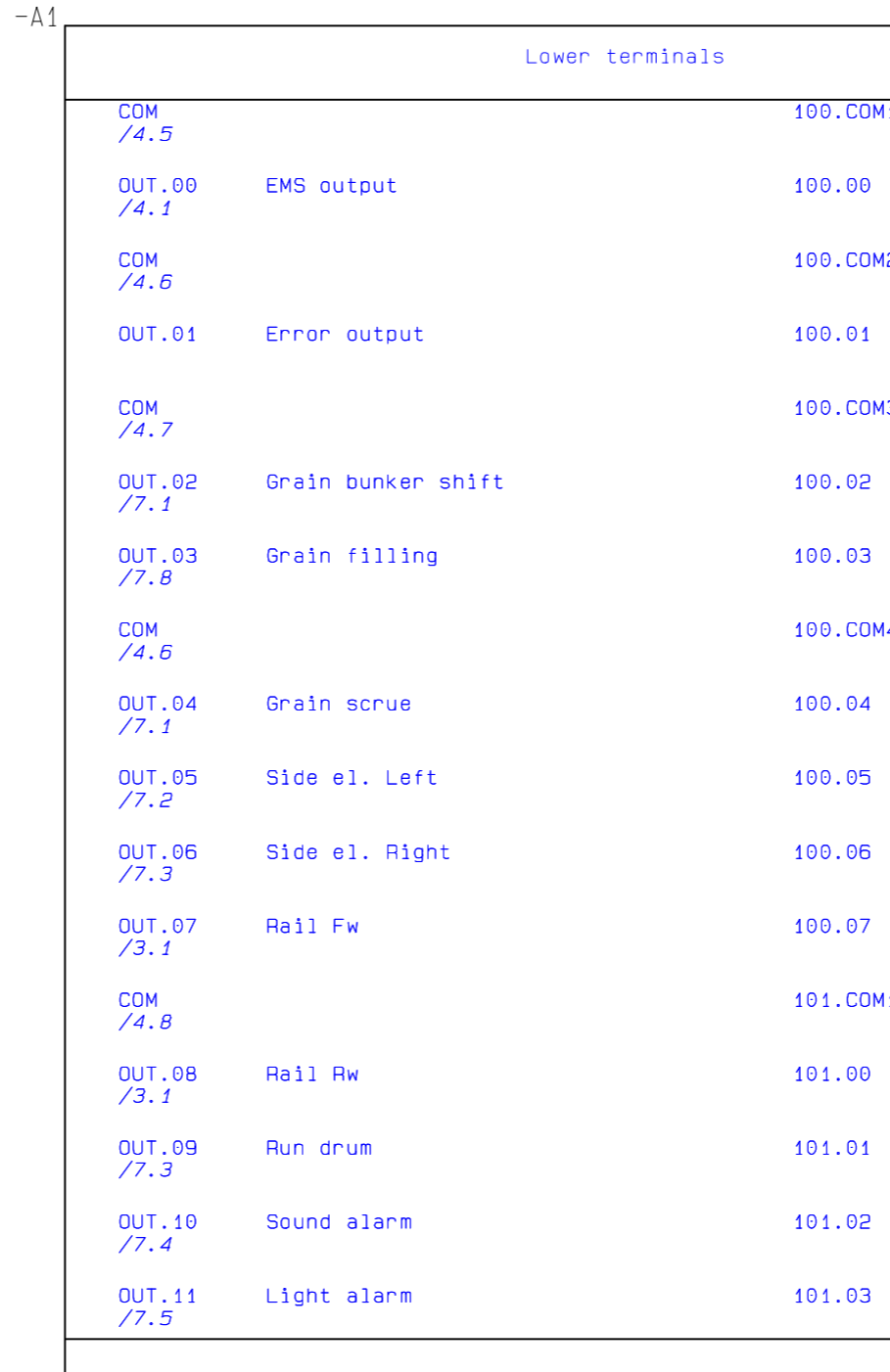
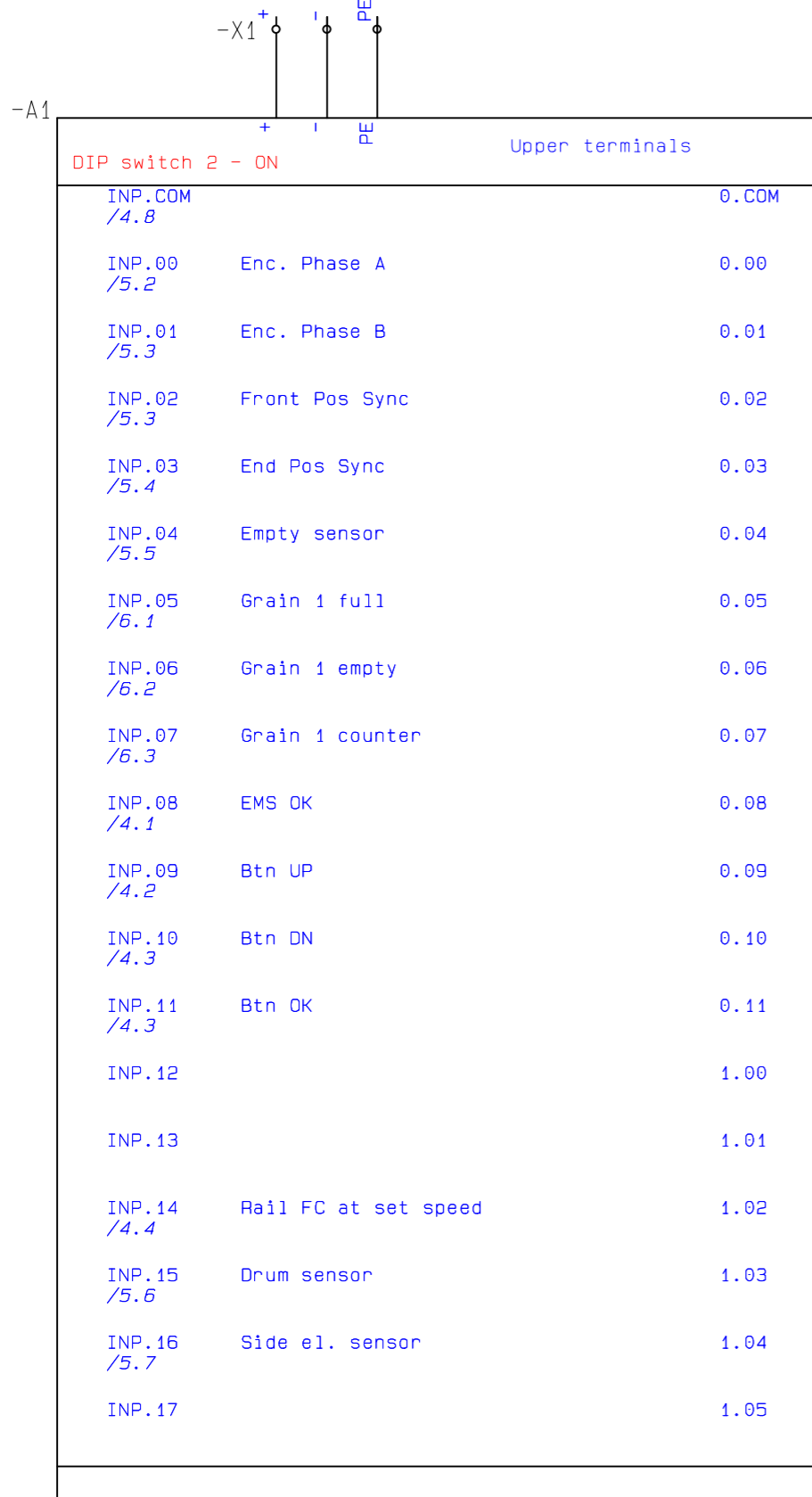
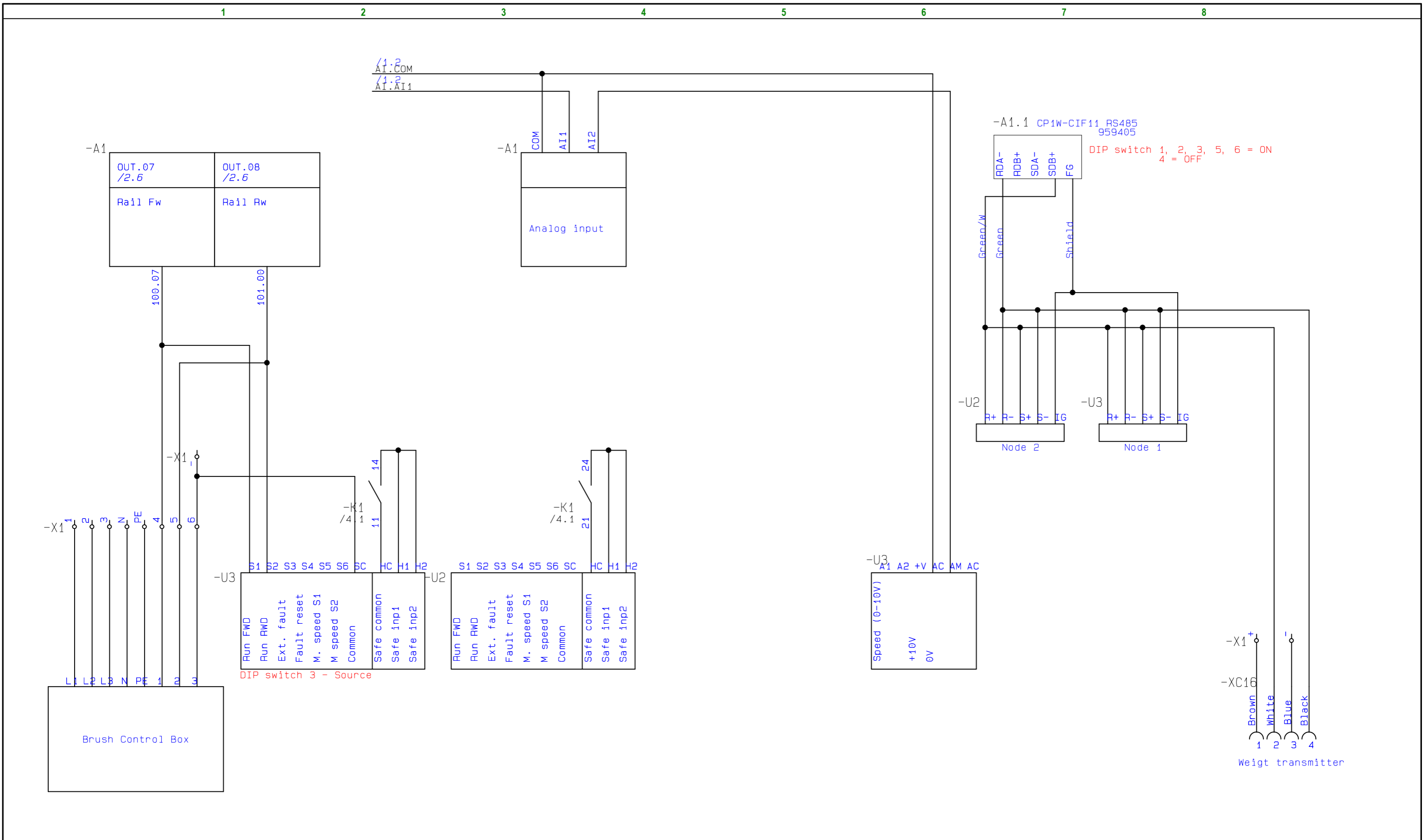


1 2 3 4 5 6 7 8





Project title:	EF2016V002	Project no.:	Project rev.:	Page	3
Page title:		Drawing no.:	Page rev.:	Previous page:	2
Filename:	EF2016V002	Constructor (project/page)	Last printed: 26.10.2016	Next page:	4
Page ref.:		Appr. (date/sign.)	Last correction: 05.09.2016	Number of pages:	9

