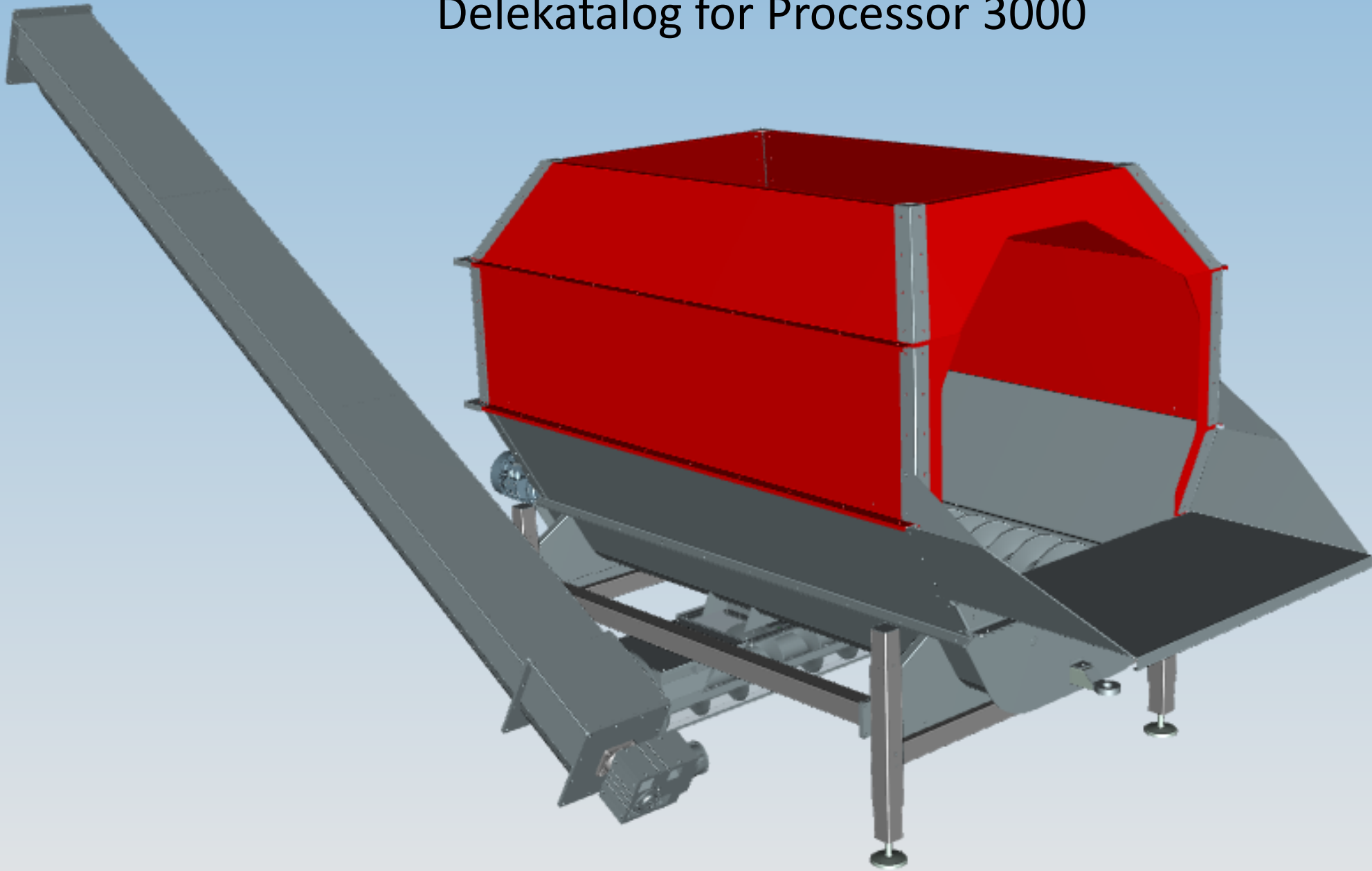
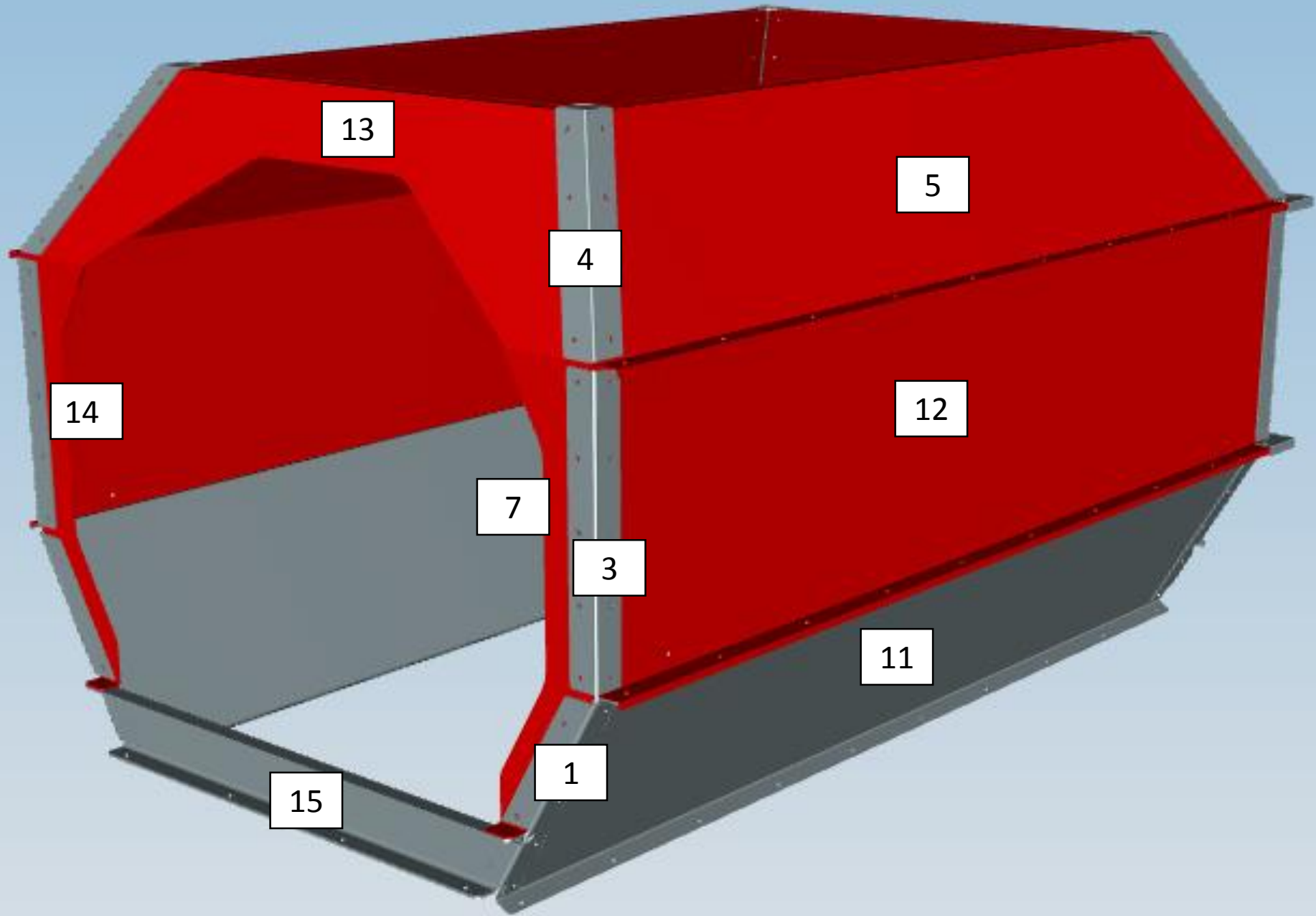
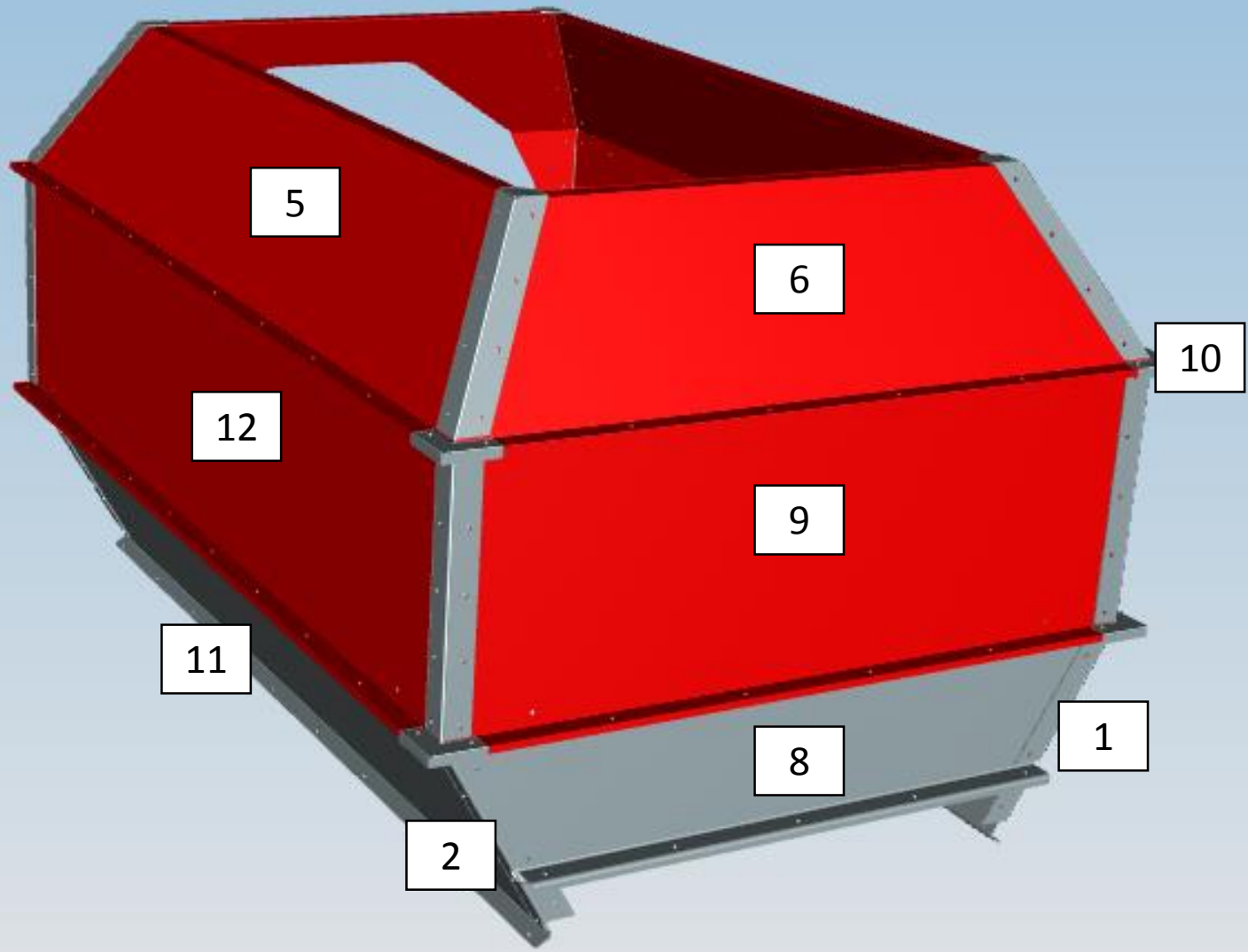


Delekatalog for Processor 3000





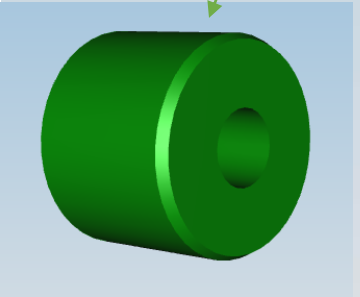


POS	24727	MAIN CHASSI		ANTALL
15	24842	End plate main credle A top	Endeplate topp bunnseksjon	1
14	24732	Left end plate	Venstre endeplate	1
13	24734	Top end plate inlet	Top endreplate	1
12	24736	Middle side plate	Midtre sideplate	2
11	24735	Lower side plate	Nedre sideplate	2
10	24728	Corner bracket	Hjørnedel	4
9	24730	Middle end plate	Midtre endeplate	1
8	24729	Lower end plate	Nedre endeplate	1
7	24733	Right end plate	Høyre endeplate	1
6	24731	Top end plate	Top endeplate	1
5	24737	Top side plate	Top sideplate	2
4	24738	Connection bracket A	Hjørnebraket A	4
3	24739	Connection bracket B	Hjørnebraket B	4
2	24740	Connection bracket C	Hjørnebraket C	2
1	24741	Connection bracket D	Hjørnebraket D	2

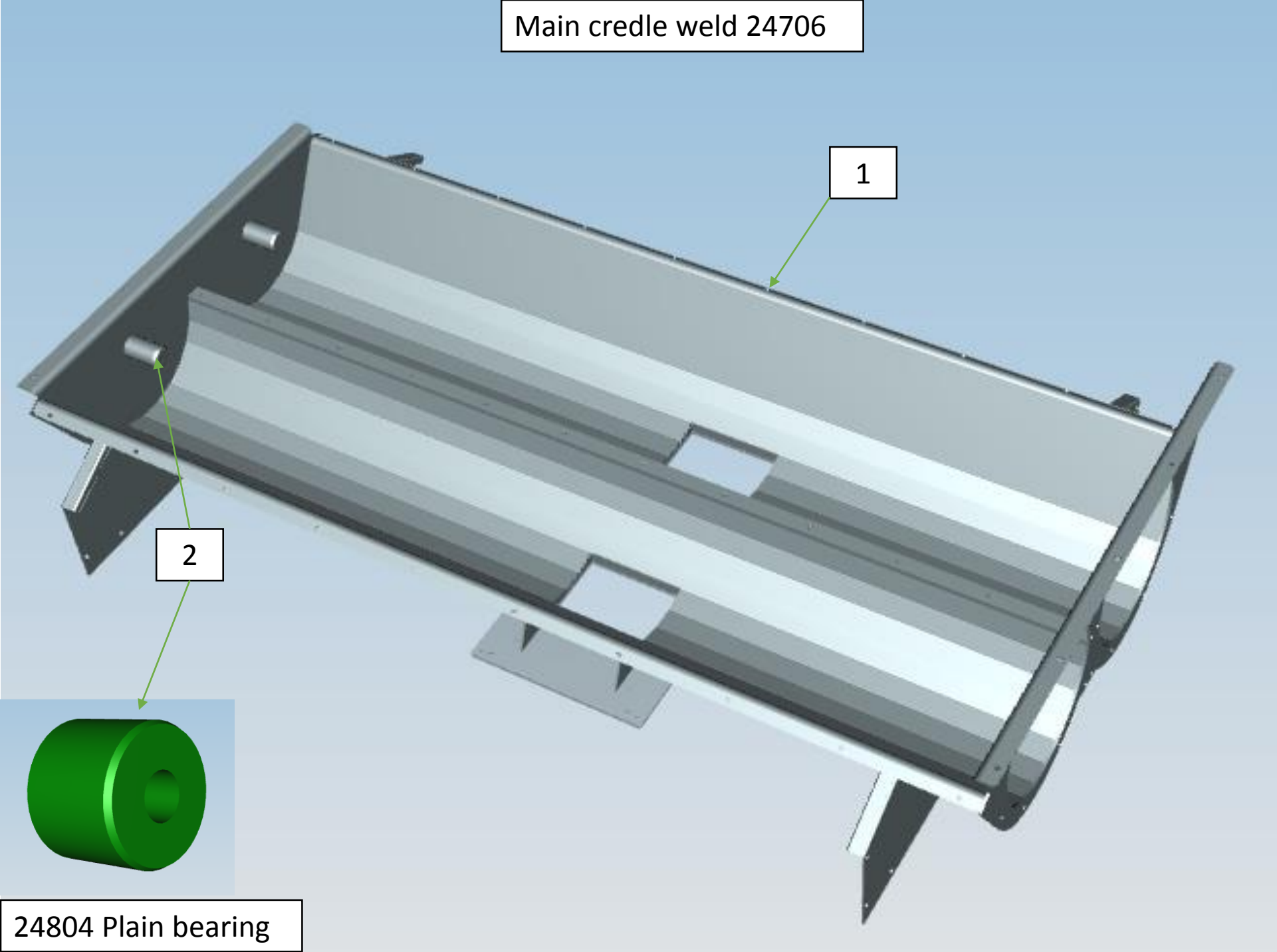
Main credle weld 24706

1

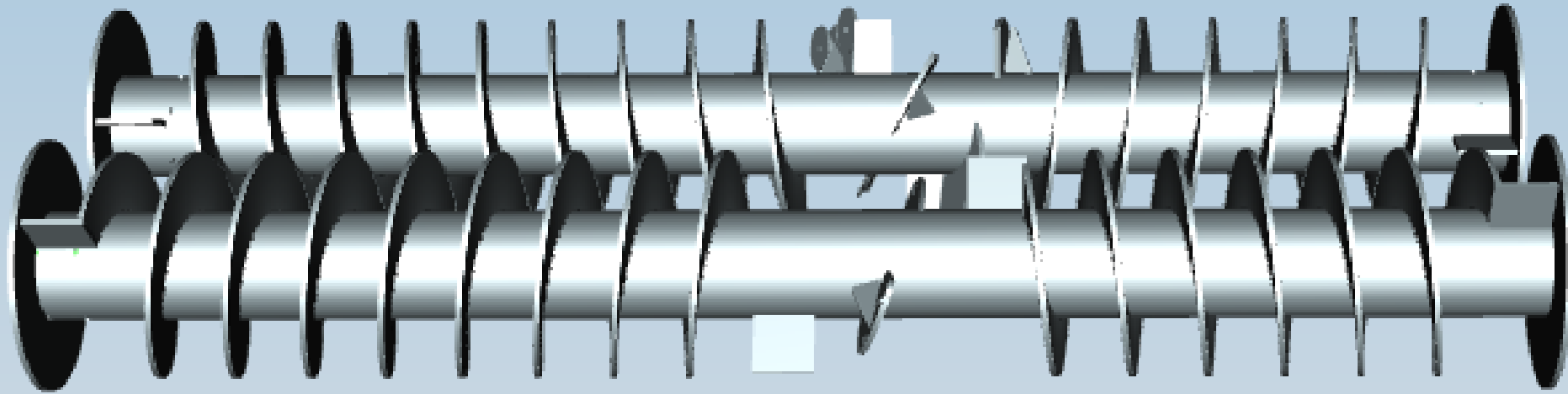
2



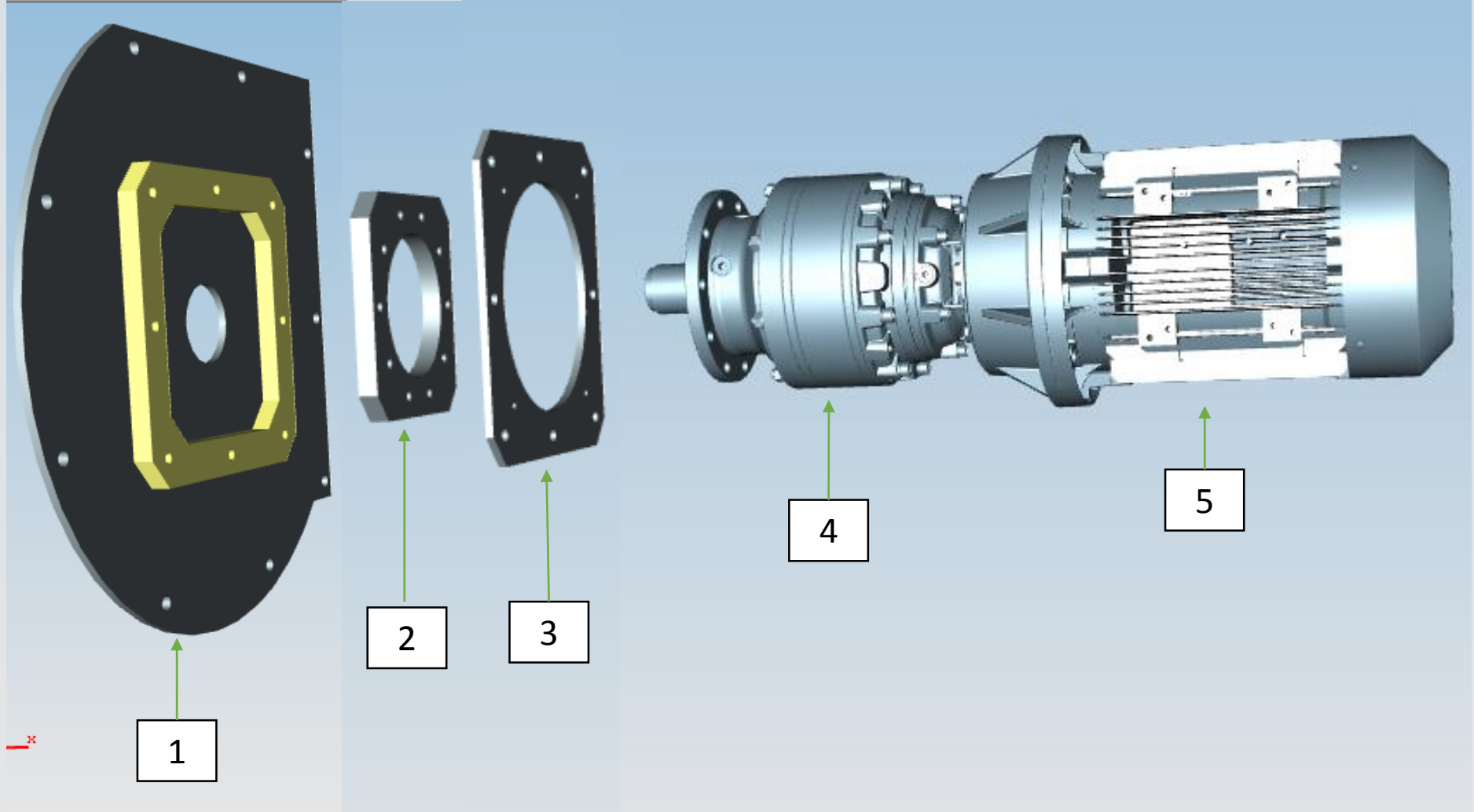
24804 Plain bearing



24795 Processor main screw R
24780 Processor main screw

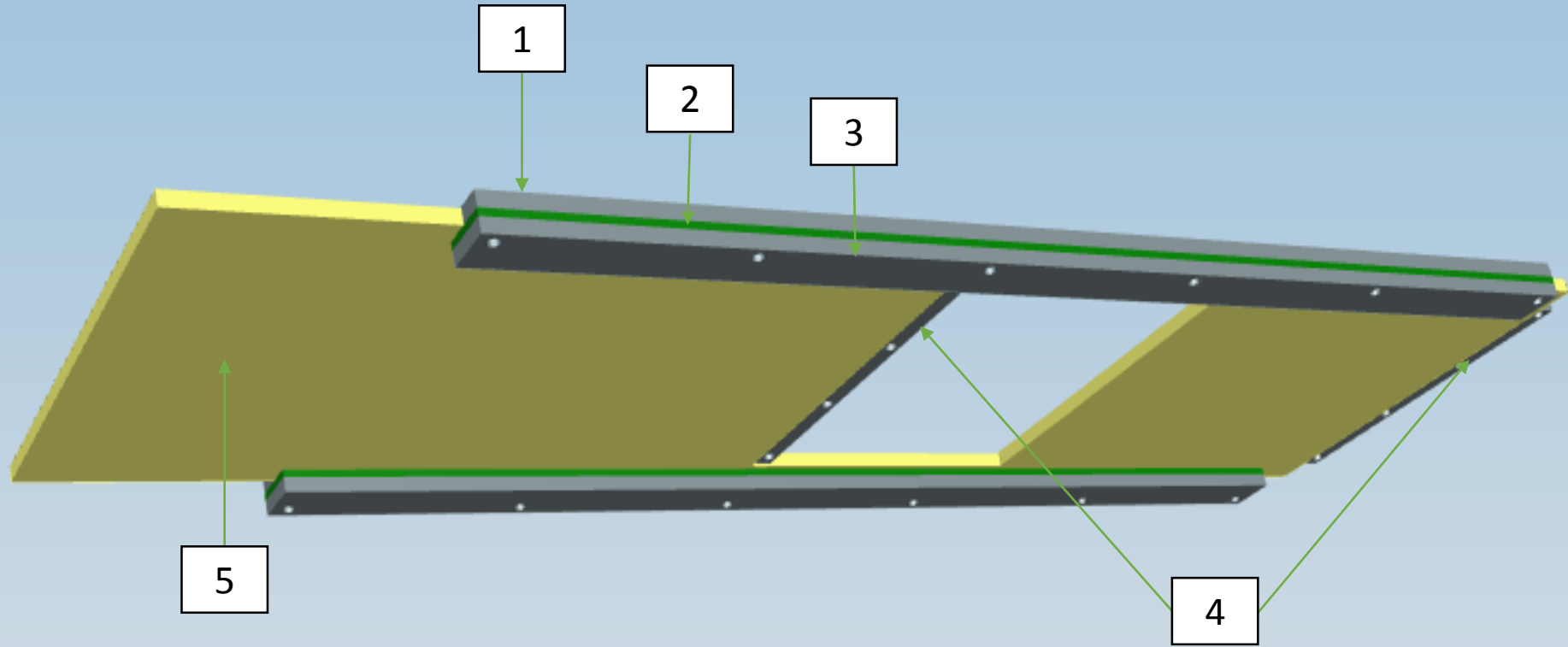


POS				ANTALL
1	24706	Main credle weld	Bunnseksjon	1
	24795	Processor main screw R	Processor skrue høyre	1
	24780	Processor main screw	Processor skrue venstre	1
2	24804	Plain bearing	Lagerboss i hardplast	2



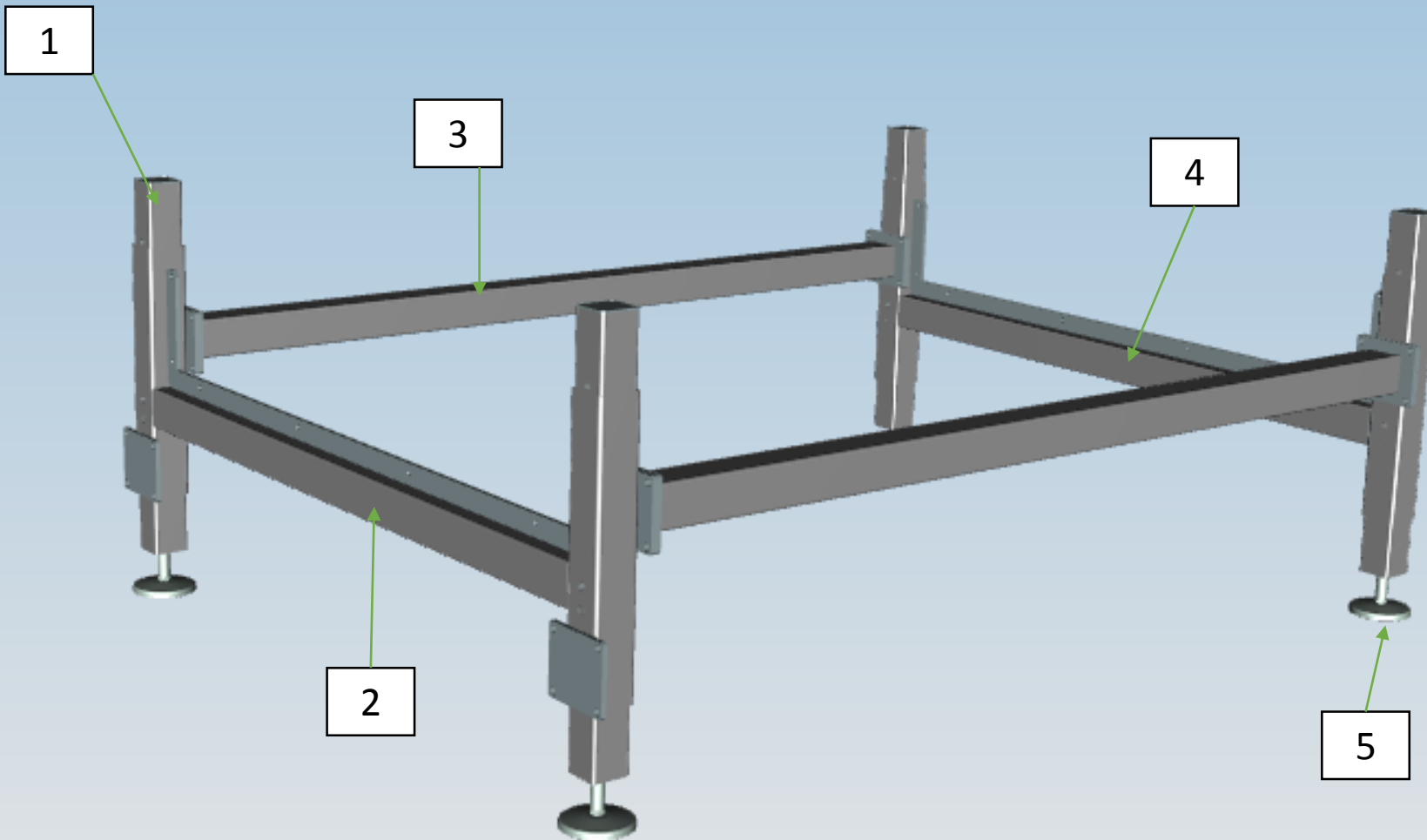
POS				ANTALL
1	24823	Drive unit L	Komplett drivenhet venstre	1
1	24824	Driveunit R	Komplett drivenhet høyre	1
2	24829	Torsion plate	Tosjonsplate	2
3	24828	Gear plate	Girplate	2
4	46796	Gear main credle	Planetgir	2
5		5,5kw el-motor	5,5kw motor	2

24808 Outlet hatch



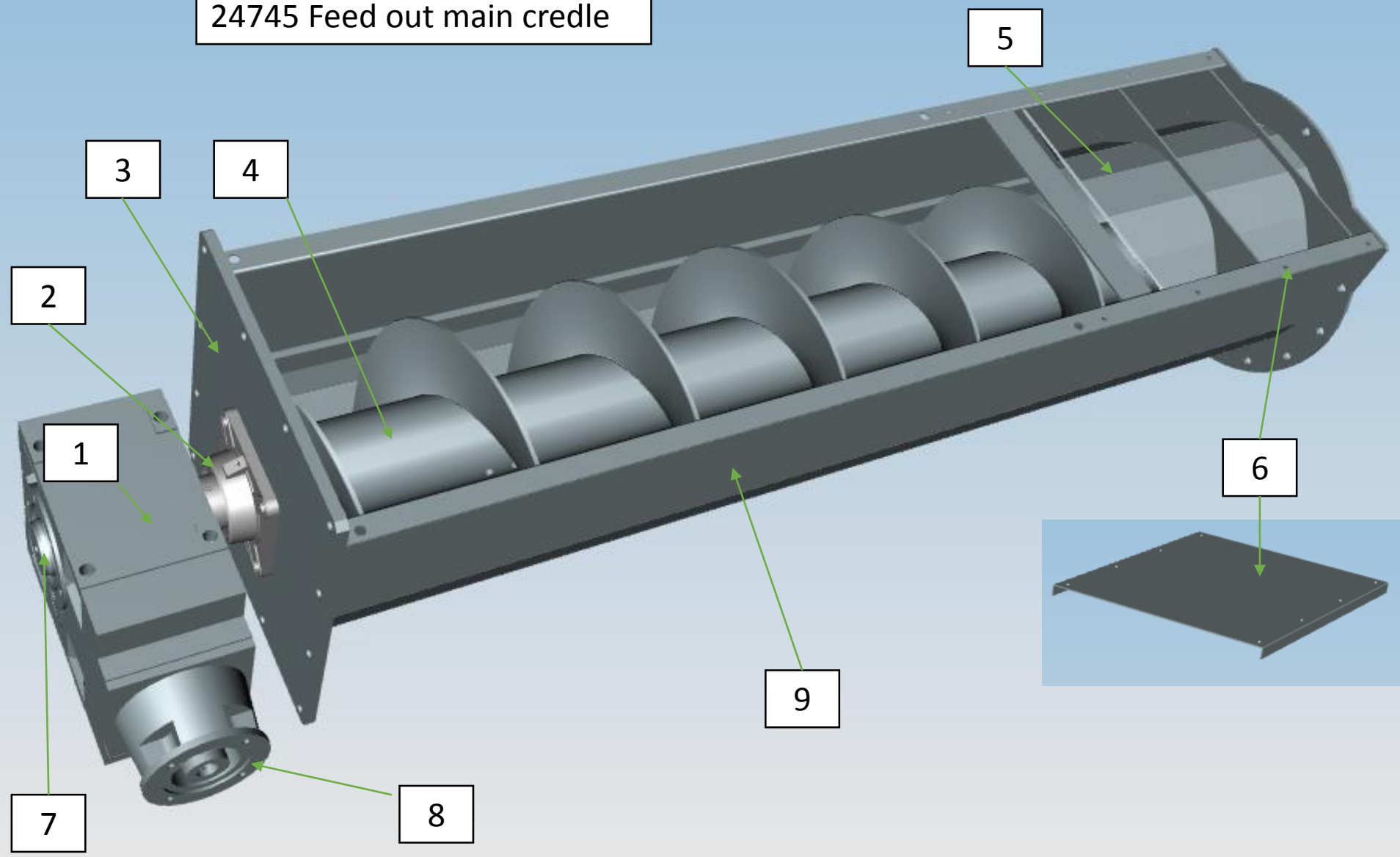
POS	24808	OUTLET HATCH		ANTALL
1	24810	Guide A	Flattjern A	2
2	24811	Guide B	Glidelist av plast B	2
3	24812	Guide C	Flattjern C	2
4	24818	Hatch stop plate	Lukestopp	2
5	24809	Hatch plate	Lukeplate	1

24690 Base rack



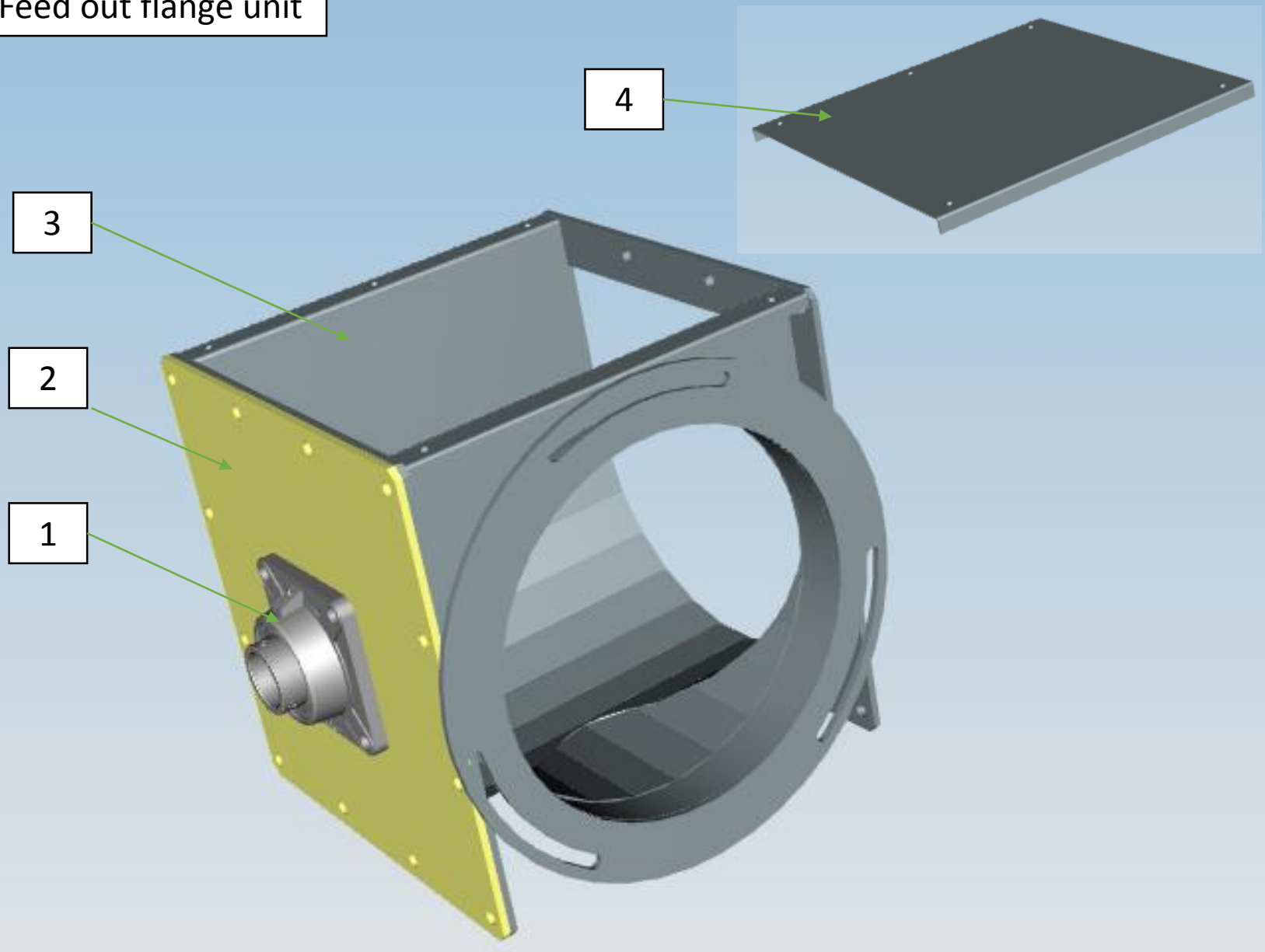
POS	24690	BASE RACK		ANTALL
1	24699	Leg	Fot	4
2	24698	Base rack end	Rammedel bak	1
3	24696	Connection bar	Siderør	2
4	24841	Base rack front	Rammedel foran	1
5	46789	Mashine fot	Maskinfot	4

24745 Feed out main credle



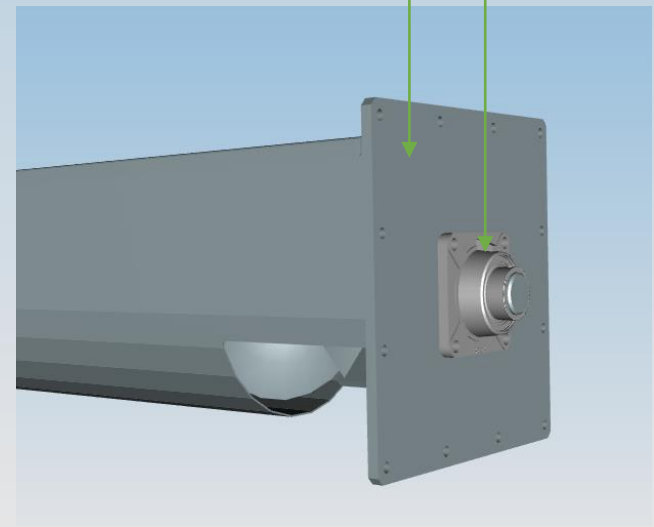
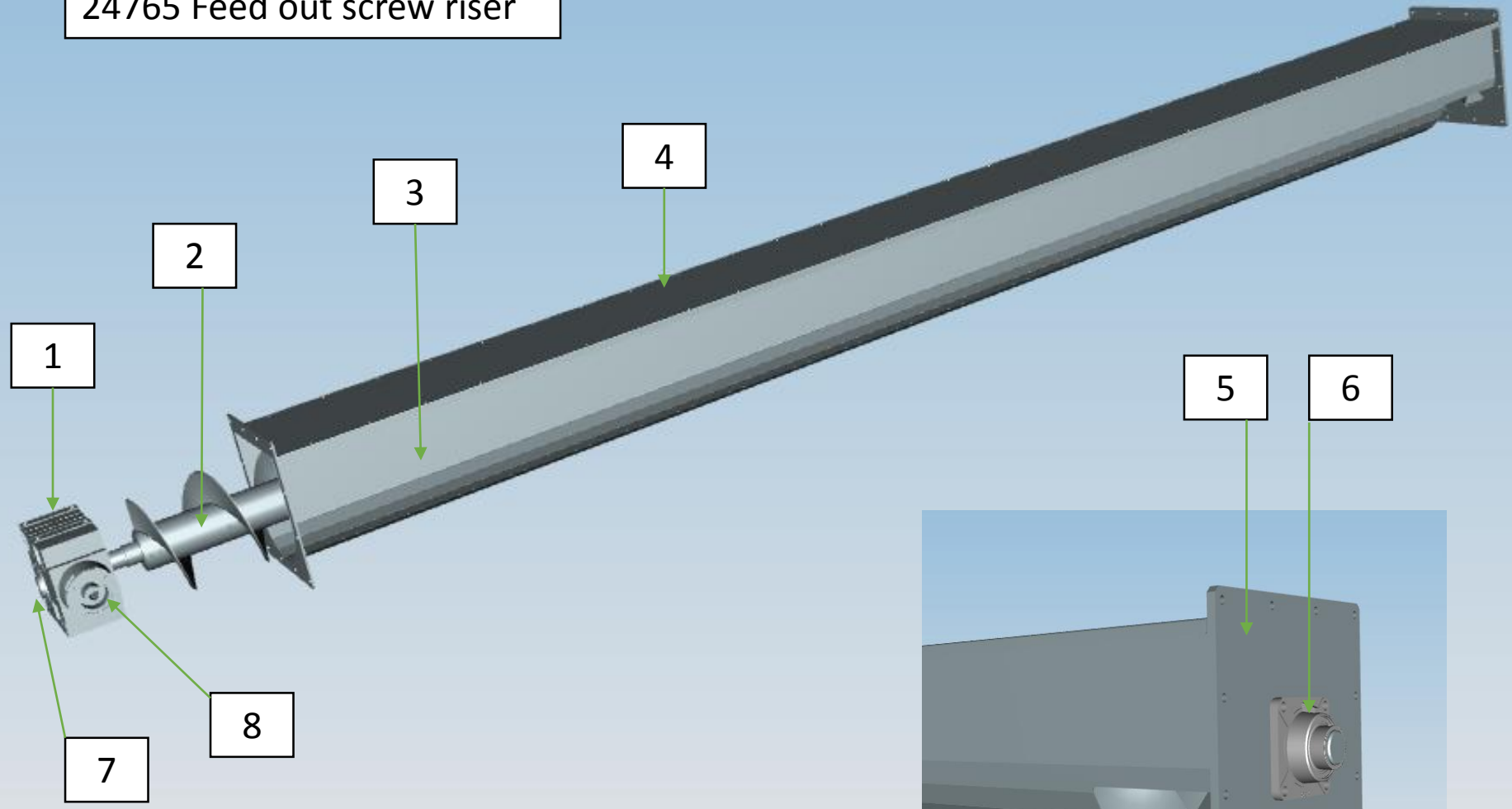
POS	24745	FEED OUT MAIN CREDLE		ANTALL
1	46794	Gear feed out main credle	Vinkletannhjulsgir	1
2	46793	Bearing unit	Flenslager	1
3	24815	Flange D	Endeplate D	1
4	24759	Feed out screw	Utmeterskrue	1
5	24806	Feed guide	Styrinsplate	1
6	24748	Lid B	Lokk	1
7	24749	Lock washer	Låseskive for gir	1
8		El-motor	El-motor	1
9	24750	Feed out credle A weld	U-tro for utmeterskrue	1

24813 Feed out flange unit



POS	24813	FEED OUT FLAGE UNIT		ANTALL
1	46793	Bearing unit	Flenslager	1
2	24746	Flange C	Endeplate C	1
3	25776	Feed out cradle B sheet	Vendbar del av u-tro	1
4	24767	Lid D	Lokk	1

24765 Feed out screw riser



POS	24765	FEED OUT SCREW RISER		ANTALL
1	46794	Gear feed out main credle	Vinkeltannhjulsgir	1
2	24768	Feed out screw	Utmaterskrue	1
3	24778	Feed out credle C sheet	U-tro for skrue	1
4	24766	Lid C	Lokk	2
5	24746	Flage C	Endeplate C	1
6	46793	Bearing unit	Flenslager	1
7	24749	Lock washer	Låseskive for gir	1
8		El-motor	El-motor	1

24724 Inload board

